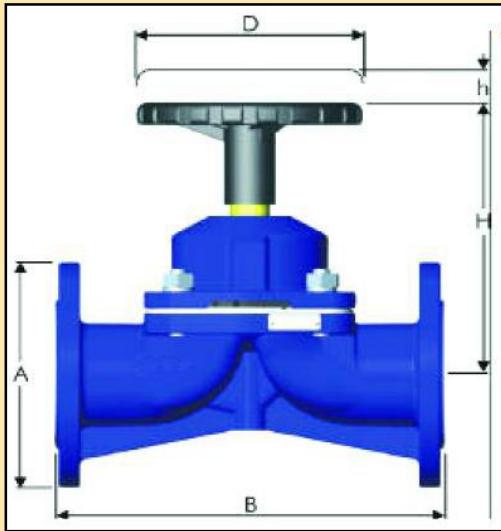
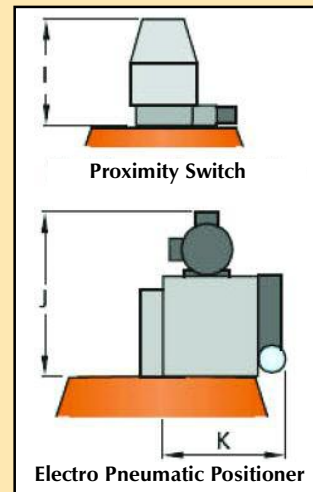
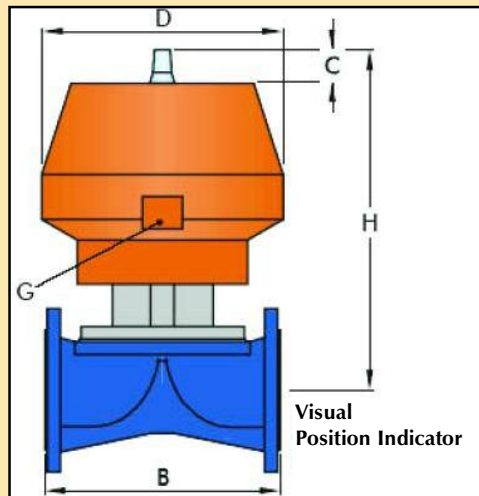


LDV Series Dimensional Data and Weight



Dimensions (Inches)					Weight Lbs.	Revolutions Per/Stroke	PSI Max	Closing Force Lbs.	Travel Inches	Cv
Size	A	B	D	H						
1/2"	3.75	5.11	3.34	4.52	6	4.5	235	429	.315	10.0
3/4"	4.13	5.90	3.34	4.60	7	4.5	235	550	.315	12.0
1"	4.25	5.75	3.34	4.88	8	5.5	235	668	.394	17.5
1 1/2"	5.00	6.85	4.72	6.81	16	12.0	235	1015	.945	39.0
2"	5.98	7.87	4.72	7.32	21	15.0	235	1380	1.18	73.0
3"	7.48	10.24	7.08	9.17	40	13.5	120	2110	1.34	183.0
4"	9.01	12.87	9.84	11.10	66	13.5	100	2650	1.58	311.0
6"	10.98	16.38	15.74	16.22	145	15.0	100	7700	2.36	720.0
8"	13.38	23.62	15.74	17.40	268	22.5	75	9980	3.54	1035.0

Cv = USG/Min



Dimensions (Inches)									
Size	B	C	D	G	H	I	J	K	Weight (lbs)
1/2"	5.12	.89	3.78		8.30	3.94	9.17	7.48	10.56
3/4"	5.91	.89	3.78		8.39	3.94	9.17	7.48	11.66
1"	5.74	.89	3.78		8.94	3.94	9.17	7.48	14.08
1 1/2"	6.85	1.4	5.90		11.18	3.94	9.17	7.48	30.58
2"	7.87	1.4	5.90		11.89	3.94	9.17	7.48	35.20
3"	10.24	1.8	11.02		14.69	5.08	9.17	7.48	72.16
4"	12.87	1.8	13.19		17.64	5.08	9.17	7.48	102.74
6"	16.38	1.8	13.19		24.41	5.08	9.17	7.48	132.00
8"	23.62	-	-	-	-	-	-	-	-

*Actuator Dimensions Subject to Change.