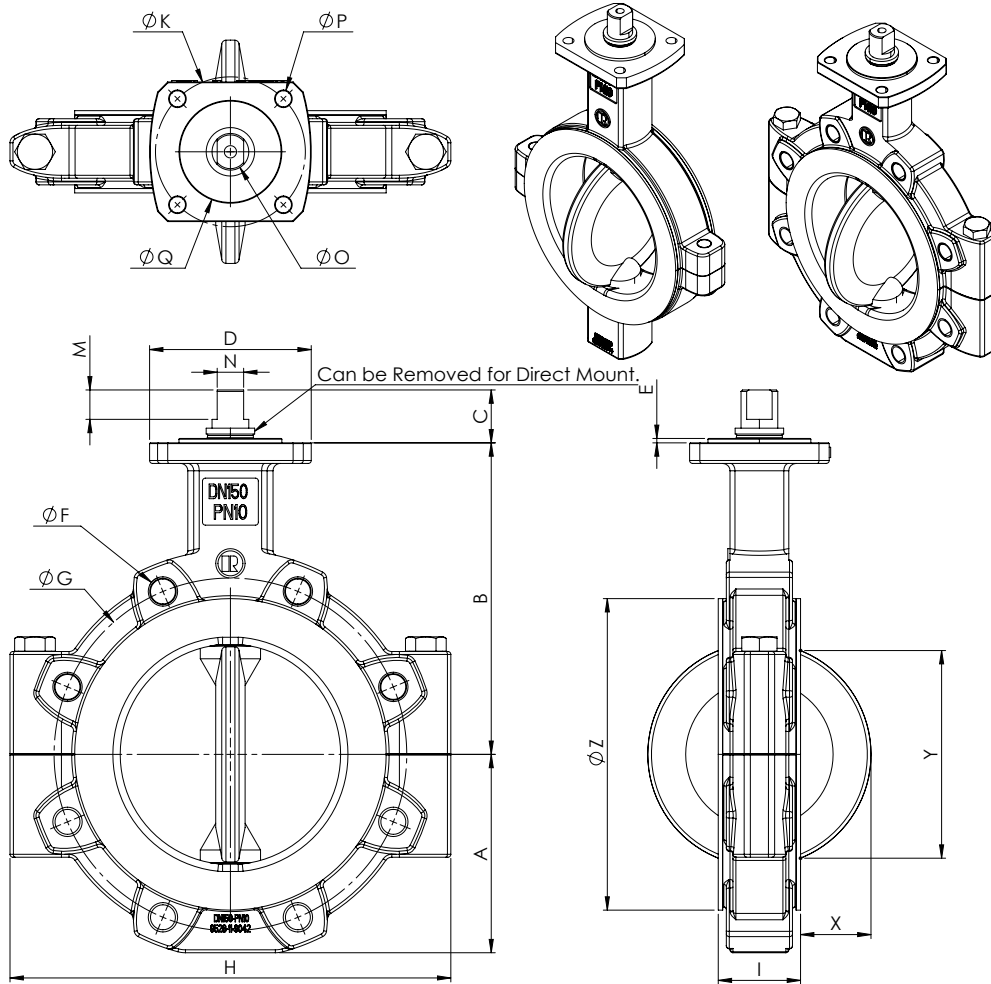


Dimensions



Valve Size	A	B	C	ϕD	E	n X ϕF (Lug)	ϕG	H (Lug)	H (Wafer)	I	M	N	ϕO	ϕP	ϕQ	ϕK	X	Y	ϕZ	ϕ of Bore
2"	2.83	5.31	1.18	2.95	0.12	4 X 5/8"-11	4.76	5.98	5.31	1.69	0.59	0.39	0.55	0.39	2.17	2.76	0.16	1.10	3.54	1.97
3"	3.50	6.30	1.18	2.95	0.12	4 X 5/8"-11	6.02	8.15	7.01	1.81	0.59	0.43	0.63	0.39	2.17	2.76	0.69	2.64	5.04	3.15
4"	3.94	6.89	1.18	2.95	0.12	8 X 5/8"-11	7.52	9.29	8.07	2.05	0.63	0.47	0.79	0.39	2.17	2.76	0.96	3.43	5.91	3.94
6"	5.04	8.35	1.42	4.33	0.12	8 X 3/4"-10	9.53	11.81	10.55	2.2	0.79	0.71	0.98	0.47	2.76	4.02	1.89	5.59	8.35	5.91
8"	6.50	9.13	1.42	4.33	0.12	8 X 3/4"-10	11.77	13.86	12.83	2.36	0.79	0.71	0.98	0.47	2.76	4.02	2.80	7.60	10.43	7.87
10"	7.68	10.71	1.69	5.31	0.12	12 X 7/8"-9	14.25	17.09	14.96	2.68	0.98	0.87	1.18	0.55	3.35	4.92	3.62	9.57	12.40	9.84
12"	8.86	11.69	1.69	5.31	0.12	12 X 7/8"-9	17.01	20.47	17.79	3.07	0.98	0.87	1.26	0.55	3.35	4.92	4.41	11.50	14.37	11.81
14"	10.16	13.19	1.97	6.10	0.16	12 X 1"-8	18.74	21.97	19.68	3.62	1.38	0.98	1.38	0.71	3.94	5.51	5.39	13.50	16.93	13.78
16"	11.10	14.17	1.97	6.10	0.16	16 X 1"-8	21.26	24.80	22.24	4.02	1.38	1.18	1.57	0.71	3.94	5.51	5.91	15.32	18.90	15.75

Other Sizes may be available.

