

# SHIPPING CONTAINER COVER KITS



  
**American**  
**COVERS**  
INCORPORATED  
[www.americancoversinc.com](http://www.americancoversinc.com)  
1.877.846.4326





<b>OUR STORY</b>	<b>3</b>
<b>OUR VISION</b>	<b>4</b>
<b>SAFETY</b>	<b>5</b>
<b>SAFETY AFFILIATES</b>	<b>6</b>
<b>CONTAINER COVER 20' W</b>	<b>7</b>
<b>CONTAINER COVER 30' W</b>	<b>9</b>
<b>CONTAINER COVER 40' W</b>	<b>11</b>
<b>CONTAINER COVER 40' W HP</b>	<b>13</b>
<b>CONTAINER COVER 54' W</b>	<b>15</b>
<b>CONTACT US</b>	<b>17</b>

# OUR MANIFESTO

American Covers provides turnkey solutions including seating, flooring, lighting, fencing and plant safety certified installation crews.

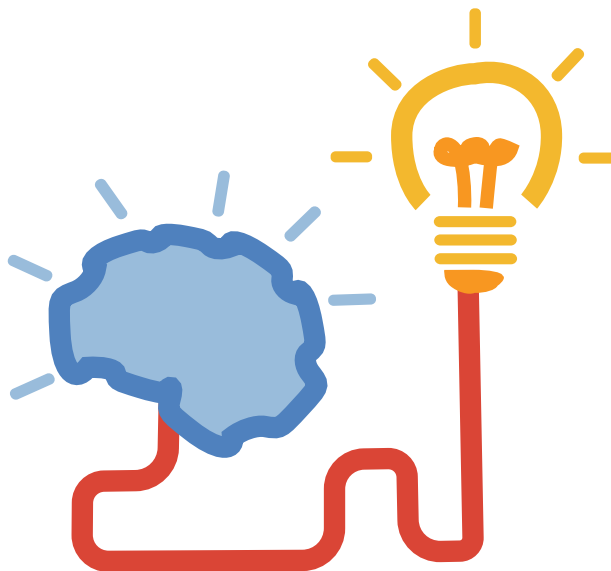
## OUR BEGINNINGS

American Covers Inc. was formed in 1995 with the purpose of fabricating and supplying fabric shelters for the petrochemical industries along the Gulf Coast. Our first sale was a 20' x 20' lunch tent used during a turn-around at a local refinery. Once both plant managers and the onsite industrial contractors saw our lunch tent and American Covers' commitment to quality, additional orders soon followed. Before long our products expanded to include fabrication tents, warehouse storage tents, welding shelters and numerous other types of temporary shelters.

Over the last twenty years, American Covers has evolved into a recognized leader in providing temporary fabric shelters to refineries, chemical plants, industrial contractors and commercial businesses worldwide. In 2021 American Covers achieved certified Women Business Enterprise status.

American Covers' success is directly attributed to its dedication in assembling a team of talented managers and motivated employees. Together, they work to consistently earn our customers' business by providing the best service possible each and every day. Daily safety huddles remind our team that they are the most important aspect of our company. Earnings are continuously reinvested in employee enrichment, continuing education, safety programs and training, as well as innovative product

design and lean 6S manufacturing practices. The company is right sized in its ability to provide custom products and services on demand, and large enough to earn the trust of many Fortune 500 companies. Many of our current customers have been using our products since American Covers' beginning.



# OUR VISION

## SHARED COMMITMENT

We seek customers who share our commitment to safety, environmental responsibility and the design of value added products and services.

## CONTINUED SUCCESS

We sustain profitable growth by developing existing markets and developing new opportunities that are consistent with our core competencies and purpose.

## POSITIVE IMPACT

We attract and retain the best talent as a result of integrating a fun, positive work environment, leadership and people development with recognition and incentives.

# OUR CORE VALUES

## ETHICS

We are committed to high ethical standards of business conduct.

## CULTIVATION

We are committed to a culture of excellence which defines our attitudes and behaviors: a requirement to make our purpose a reality.

## TEAMWORK

We recognize teamwork is the basis for our achievements. Leadership, integrity, flexibility and efficiency guide our actions to accomplish our purpose.

## RECOGNITION

We acknowledge that our strength is based on the talent and commitment of our employees. Therefore, we dedicate resources toward their development, reward and recognition.

# COMMITTED TO EXCELLENCE

American Covers Inc. recognizes safety as a core value and, as such, it is managed as a critical business activity. Every employee understands that safety is an essential element of career success.

## TRAINING

All American Covers employees are continuously trained on the following safety components:

- Job Safety Analysis (JSA)
- Safety performance observation
- Near miss reporting
- Incident investigation
- Root Cause Analysis

## OSHA

Our OSHA statistics reflects the success of this approach. We believe that all accidents are preventable with proper training, planning and follow up. Safety is **priority one** on all projects, regardless of size or duration. American Covers promotes a workplace environment designed to reduce the likelihood of accidents. By committing to a comprehensive safety program, that encompasses regular safety training and skills testing, as well as recognizing safe work practices, our employees have a clear expectation that American Covers expects excellence in work safety at all times.

## CONTINUOUS IMPROVEMENT

By focusing on near miss reporting, incident investigation and root cause analysis, American Covers' employees learn how they can work safer in their environment and how to continuously strive for improvement. Employees are on alert at all times for potential threats, and their participation in this aspect of our business ensures the safety of all who work here, as well as plant guests. Morning toolbox talks and post lunchtime huddles help our staff focus on different aspects of safety on a daily basis.

**"Safety impacts every aspect of American Covers' success. Diligent safety practices allow us to be more competitive, and it benefits our customers with lower product and service cost. No job is so important, or requires completion so quickly, that we will not take the necessary time to perform it safely."**

**Rick Fogarty, Founder/Chief Financial Officer**

# SAFETY AFFILIATIONS



**American Covers Inc. employees are routinely trained to comply with plant safety requirements and hold current OSHA, Plant Specific and TWIC certifications.**

## SAFETY CREDENTIALS

American Covers field installers hold the following safety credentials: Transportation Workers Identification Credential (T.W.I.C.), O.S.H.A. Basic Plus and numerous individual plant site specifics. Our field installers receive their continuous safety training and site specifics through the following organizations: Alliance Safety Council, Gulf Coast Safety Council (G.C.S.C.) Houston Area Safety Council (H.A.S.C.), Safety Council of Southwest Louisiana (S.W.L.A.), International Safety Training Council (I.S.T.C.), Tennessee Valley Training Center (T.V.T.C.), and Safety Council of East Texas (S.C.E.T.)

## SAFETY AFFILIATES

American Covers Inc. is a member of ISNetworld and Avetta safety verification organizations. These industry recognized organizations collect self-reported conformance information from vendors, verify its accuracy, and report the results in an easy to follow dashboard format.

## DRUG SCREENING

American Covers employees are active members of DISA drug testing consortium and comply with random drug and alcohol screening requirements. Employees are tested for pre-employment, random, post-accident and reasonable suspicion.

## BACKGROUND SCREENING

All American Covers field installers are required to consent to a background screening process. The background screenings are through DISA, First Advantage or I.S.T.C. The employee background screening services provide the most current and accurate data available and gives each client the ability to order and track employee background screens online.

# SHIPPING CONTAINER COVER 20' WIDE MODELS

## SIZE

20'W 16'H at center 10' sidewall (including container)

## FRAME

Single Tube, High Strength Galvanized Steel Tubing

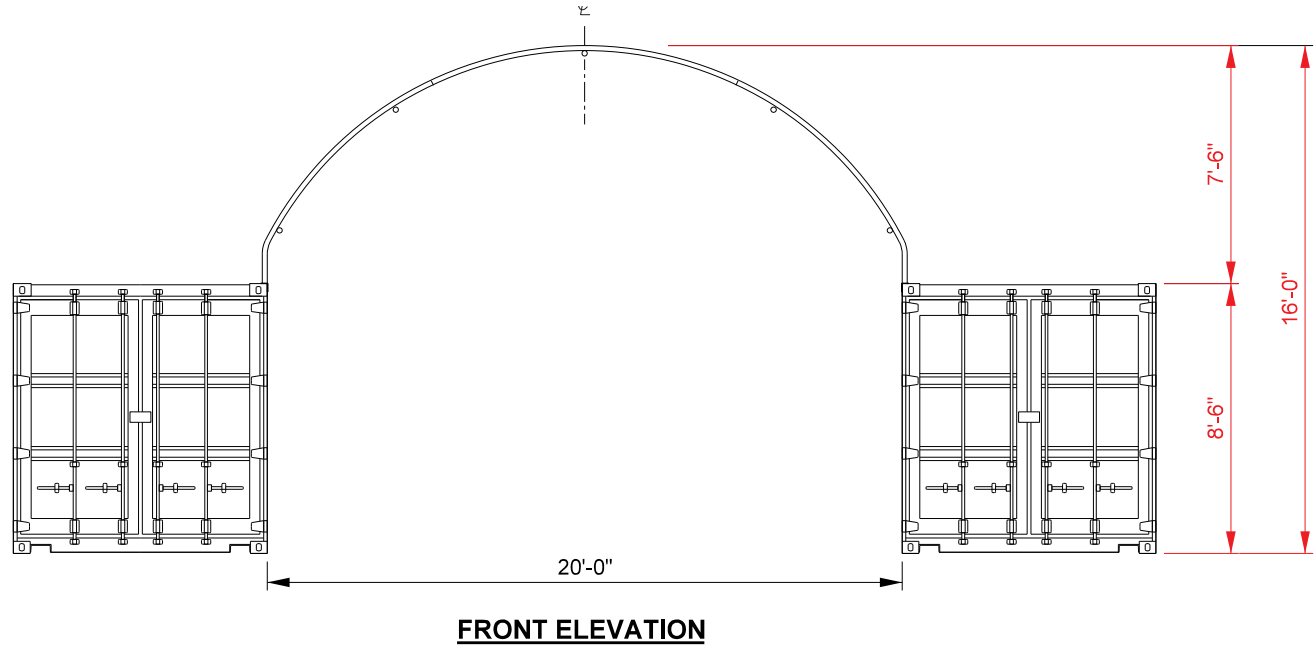
## FABRIC

18 oz Poly Coated Vinyl Flame Resistant NFPA 701





# SPECS



# SHIPPING CONTAINER COVER 30' WIDE MODELS

## SIZE

30'W 17'H at center 12' sidewall (including container)

## FRAME

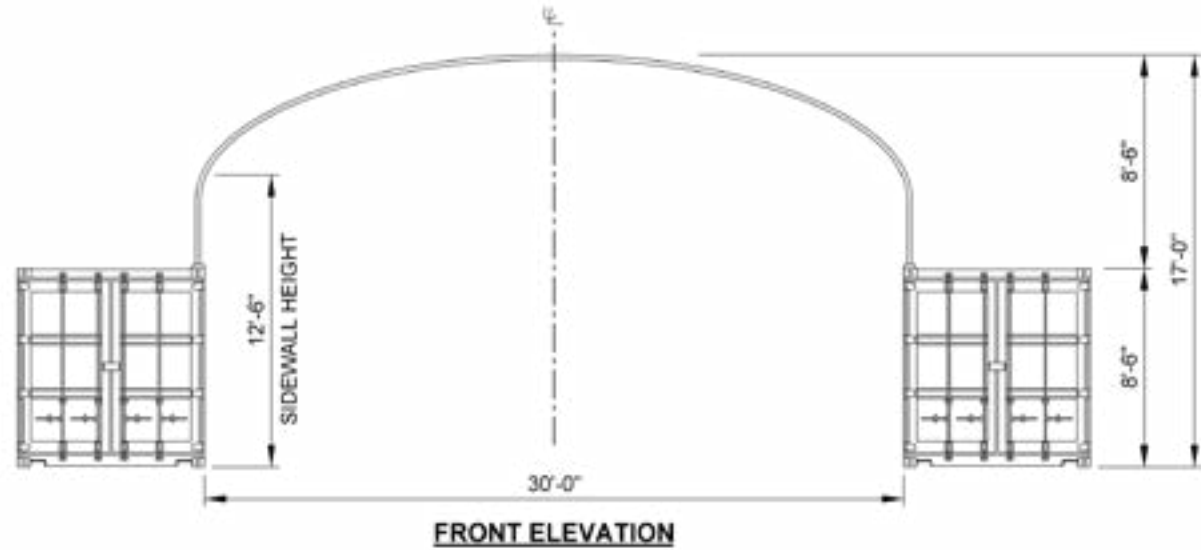
Single Tube, High Strength Galvanized Steel Tubing

## FABRIC

18 oz Poly Coated Vinyl Flame Resistant NFPA 701



# SPECS



# SHIPPING CONTAINER COVER 40' WIDE MODELS

## SIZE

40'W 16'H at center 9' sidewall

## FRAME

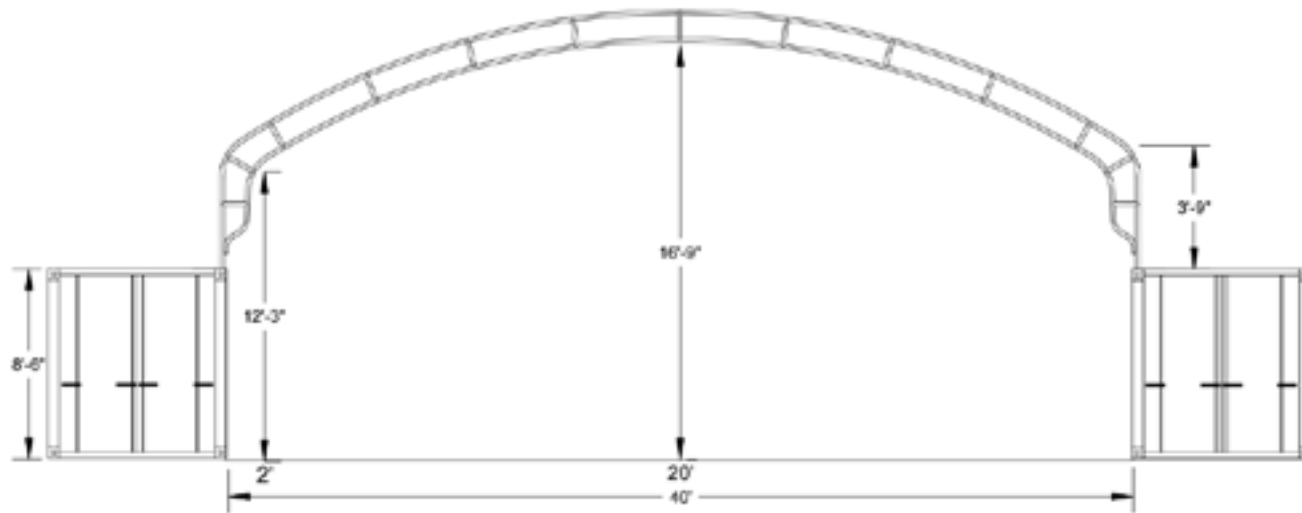
Truss Frame, High Strength Galvanized Steel Tubing

## FABRIC

18 oz Poly Coated Vinyl Flame Resistant NFPA 701



# SPECS



Note: Vertical dimensions are based on level ground and standard 8'-6" container height.



# SHIPPING CONTAINER COVER 40' W 21'H

## SIZE

40'W 21'H at center 10' sidewall (including container)

## FRAME

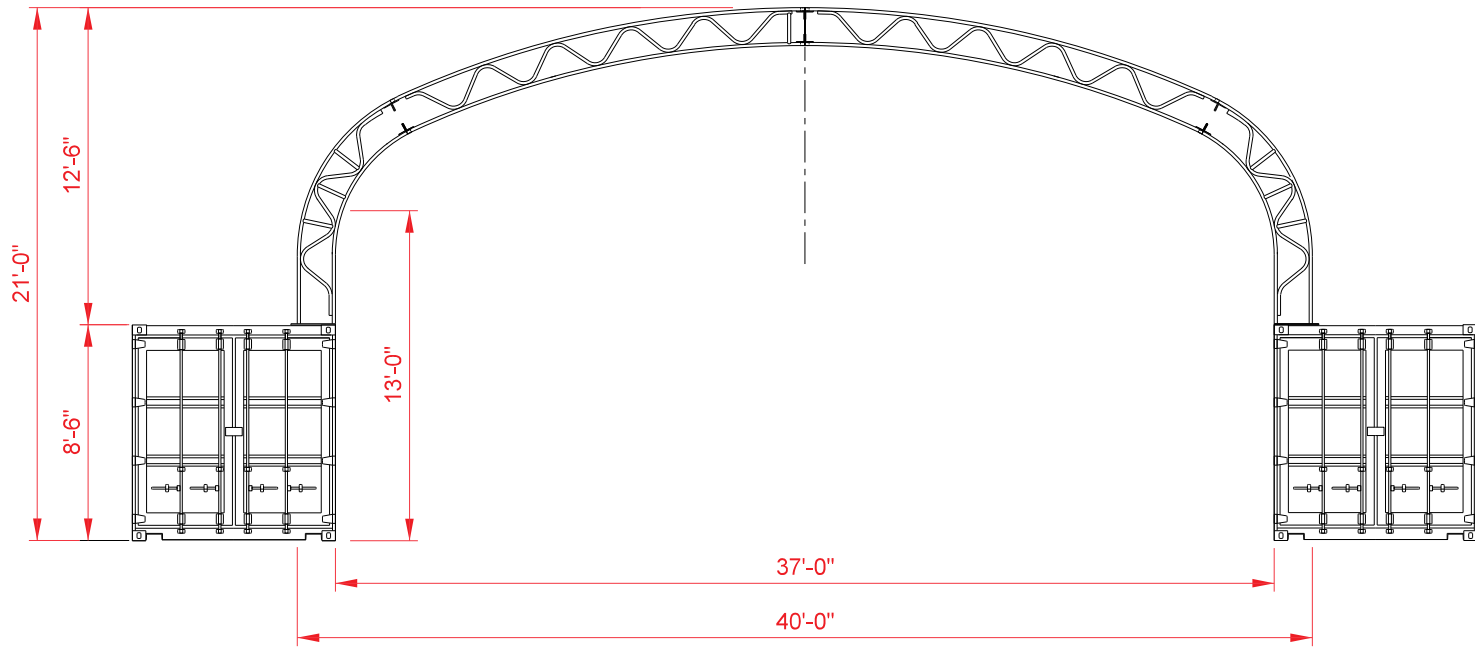
Truss Frame, High Strength Galvanized Steel Tubing

## FABRIC

18 oz Poly Coated Vinyl Flame Resistant NFPA 701



# SPECS



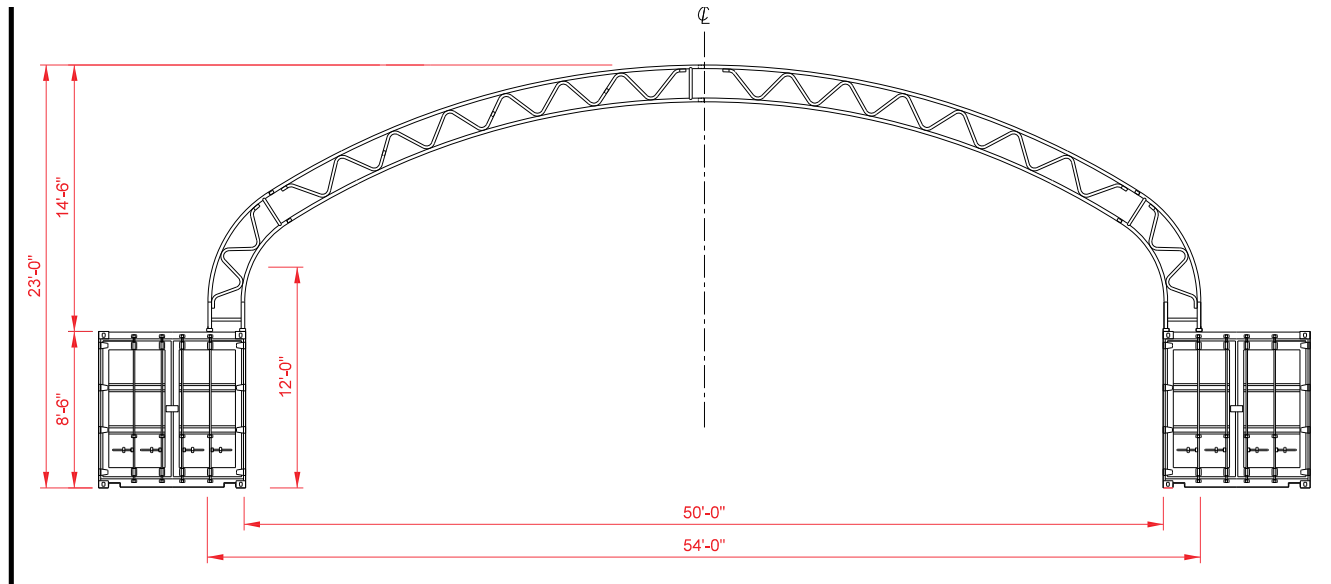
# SHIPPING CONTAINER COVER 54' WIDE MODELS

<b>SIZE</b>	54' W, 23'H at Center
<b>FRAME</b>	Truss Frame, High Strength Galvanized Steel Tubing
<b>FABRIC</b>	18 oz Poly Coated Vinyl Flame Resistant NFPA 701





# SPECS



# American COVERS INCORPORATED



**281 General Patton Avenue  
Mandeville, LA 70471**

**877. 846. 4326**

**985. 778. 0700**

**Fax 985. 778. 0707**

**[sales@americancoversinc.com](mailto:sales@americancoversinc.com)**

**[www.americancoversinc.com](http://www.americancoversinc.com)**

