



American  
**COVERS**

INCORPORATED

[www.americancoversinc.com](http://www.americancoversinc.com)

1.877.846.4326



<b>OUR STORY</b>	<b>4</b>
<b>OUR VISION</b>	<b>5</b>
<b>SAFETY</b>	<b>6</b>
<b>SAFETY AFFILIATES</b>	<b>7</b>
<b>FABRIC SHELTER 20' W</b>	<b>8</b>
<b>FABRIC SHELTER 30' W</b>	<b>10</b>
<b>FABRIC SHELTER 40' W</b>	<b>12</b>
<b>FABRIC SHELTER 50' W</b>	<b>14</b>
<b>END PANELS</b>	<b>15</b>
<b>ACCESSORIES</b>	<b>16</b>

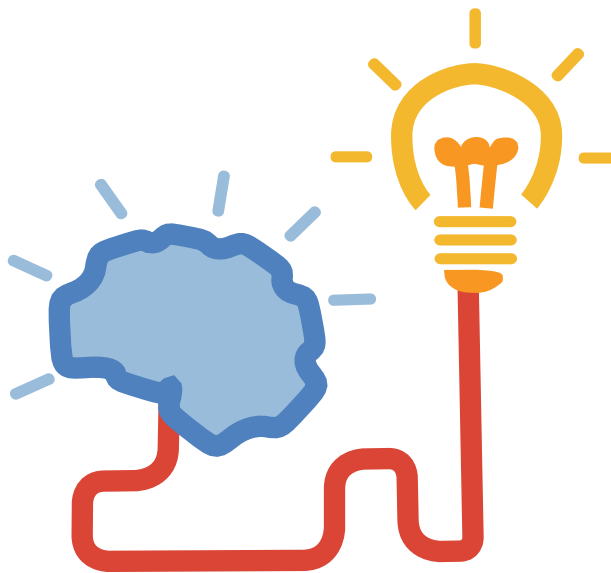
# OUR MANIFESTO

American Covers is fully equipped to provide fast and easy turnkey solutions for our clients' fabric shelter needs, including seating, flooring, lighting, fencing and plant safety certified installation crews.

## OUR BEGINNINGS

American Covers Inc. was formed in 1995 with the purpose of fabricating and supplying fabric shelters for the petrochemical industries along the Gulf Coast. Our first sale was a 20' x 20' lunch tent used during a turn-around at a local refinery. Once both plant managers and the onsite industrial contractors saw our lunch tent and American Covers commitment to quality, additional orders soon followed. Before long our products expanded to include fabrication tents, warehouse storage tents, welding shelters and numerous other types of temporary shelters. Over the last twenty years American Covers has evolved into a recognized leader in providing temporary fabric shelters to refineries, chemical plants, industrial contractors and commercial businesses worldwide.

American Covers' success is directly attributed to its dedication in assembling a team of talented managers and motivated employees. Together, they work to consistently earn our customers' business by providing the best service possible each and every day. Daily safety huddles remind our team that they are the most important aspect of our company. Earnings are continuously reinvested in employee enrichment, continuing education, safety programs and training, as well as innovative product design and lean 6S manufacturing practices. The company is right sized in its ability to provide custom products and services on demand, and large enough to earn the trust of many Fortune 500 companies. Many of our current customers have been using our products since American Covers' beginning.



# OUR VISION

## SHARED COMMITMENT

We seek customers who share our commitment to safety, environmental responsibility and the design of value added products and services.

## CONTINUED SUCCESS

We sustain profitable growth by developing existing markets and developing new opportunities that are consistent with our core competencies and purpose.

## POSITIVE IMPACT

We attract and retain the best talent as a result of integrating a fun, positive work environment, leadership and people development with recognition and incentives.

# OUR CORE VALUES

## ETHICS

We are committed to high ethical standards of business conduct.

## CULTIVATION

We are committed to a culture of excellence which defines our attitudes and behaviors-a requirement to make our purpose a reality.

## TEAMWORK

We recognize teamwork is the basis for our achievements. Leadership, integrity, flexibility and efficiency guide our actions to accomplish our purpose.

## RECOGNITION

We acknowledge that our strength is based on the talent and commitment of our employees. Therefore, we dedicate resources toward their development, reward and recognition.

# COMMITTED TO EXCELLENCE

American Covers Inc. recognizes safety as a core value and, as such, it is managed as a critical business activity. Every employee understands that safety is an essential element of career success.

## TRAINING

All American Covers employees are continuously trained on the following safety components:

- Job Safety Analysis (JSA)
- Safety performance observation
- Near miss reporting
- Incident investigation
- Root Cause Analysis

## OSHA

Our OSHA statistics reflects the success of this approach. We believe that all accidents are preventable with proper training, planning and follow up. Safety is priority one on all projects, regardless of size or duration. We promote a workplace environment designed to reduce the likelihood of accidents. By enforcing our comprehensive safety program, requiring regular safety training, and recognizing safe work practices, our employees have a clear expectation that American Covers expects excellence in work safety at all times.

## CONTINUOUS IMPROVEMENT

By focusing on near miss reporting, incident investigation and root cause analysis, American Covers' employees learn how they can work safer in their environment and how to continuously strive for improvement. Employees are on alert at all times for potential threats, and their participation in this aspect of our business ensures the safety of all who work here, as well as plant guests. Morning toolbox talks and post lunchtime huddles help our staff focus on different aspects of safety on a daily basis.

**“Safety impacts every aspect of American Covers’ success. Diligent safety practices allow us to be more competitive, and it benefits our customers with lower product and service cost. No job is so important, or requires completion so quickly, that we will not take the necessary time to perform it safely.”**

**Rick Fogarty, President**

# SAFETY AFFILIATIONS



**American Covers Inc. employees are routinely trained to comply with plant safety requirements and hold current OSHA, Plant Specific and TWIC certifications.**

## SAFETY CREDENTIALS

American Covers field installers hold the following safety credentials: Transportation Workers Identification Credential (T.W.I.C.), O.S.H.A. Basic Plus and numerous individual plant site specifics. Our field installers receive their continuous safety training and site specifics through the following organizations: Alliance Safety Council, Gulf Coast Safety Council (G.C.S.C.) Houston Area Safety Council (H.A.S.C.), Safety Council of Southwest Louisiana (S.W.L.A.), International Safety Training Council (I.S.T.C.), Tennessee Valley Training Center (T.V.T.C.), and Safety Council of East Texas.

## SAFETY AFFILIATES

American Covers Inc. is a member of ISNetworld and Avetta safety verification organizations. These industry recognized organizations collect self-reported conformance information from vendors, verify its accuracy, and report the results in an easy to follow dashboard format.

## DRUG SCREENING

American Covers employees are active members of DISA drug testing consortium and comply with random drug and alcohol screening requirements. Employees are tested for pre-employment, random, post-accident and reasonable suspicion.

## BACKGROUND SCREENING

All American Coves field installers are required to consent to a background screening process. The background screenings are through DISA, First Advantage or I.S.T.C. The employee background screening services provide the most current and accurate data available and gives each client the ability to order and track employee background screens online.

# FABRIC SHELTER LUNCH TENT 20' WIDE MODELS

## SIZE

20'W 9'H at center 6' sidewall

## FRAME

Single Tube, High Strength Galvanized Steel Tubing

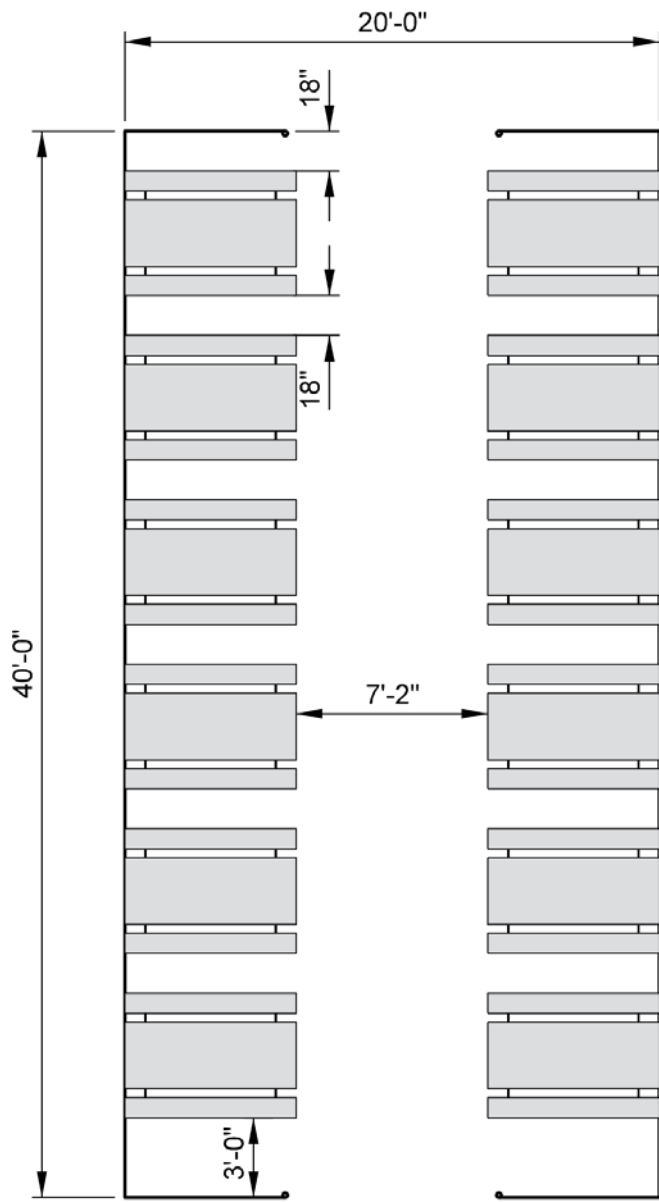
## FABRIC

18 oz Poly Coated Vinyl Flame Resistant NFPA 701

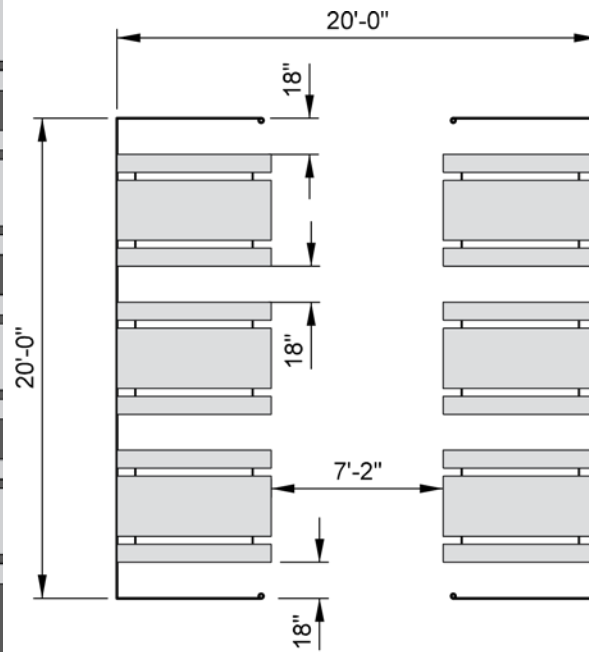
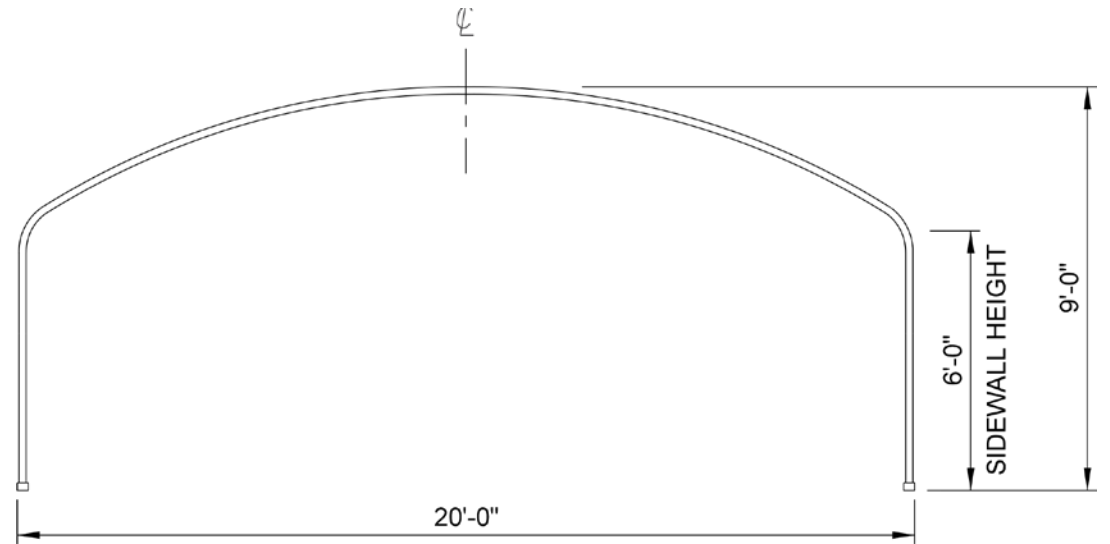




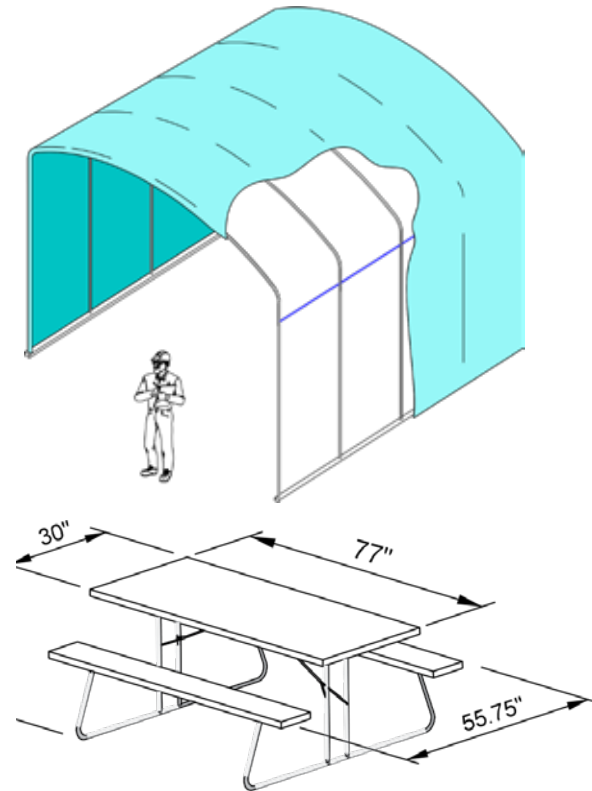
# SEATING



**20' X 40' SHELTER**  
12 TABLES



**20' X 20' SHELTER**  
6 TABLES



**BENCH STYLE TABLE**

# FABRIC SHELTER LUNCH TENT 30' WIDE MODELS

## SIZE

30'W 14'H at center 7' sidewall

## FRAME

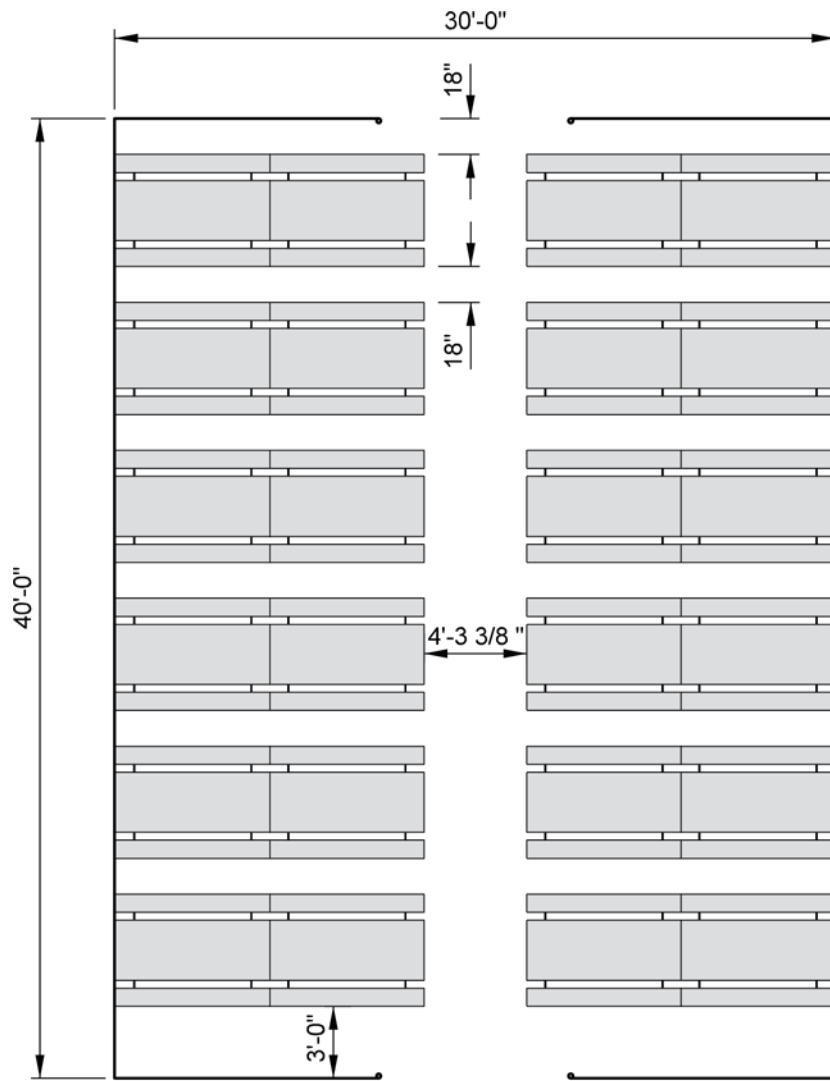
Single Tube, High Strength Galvanized Steel Tubing

## FABRIC

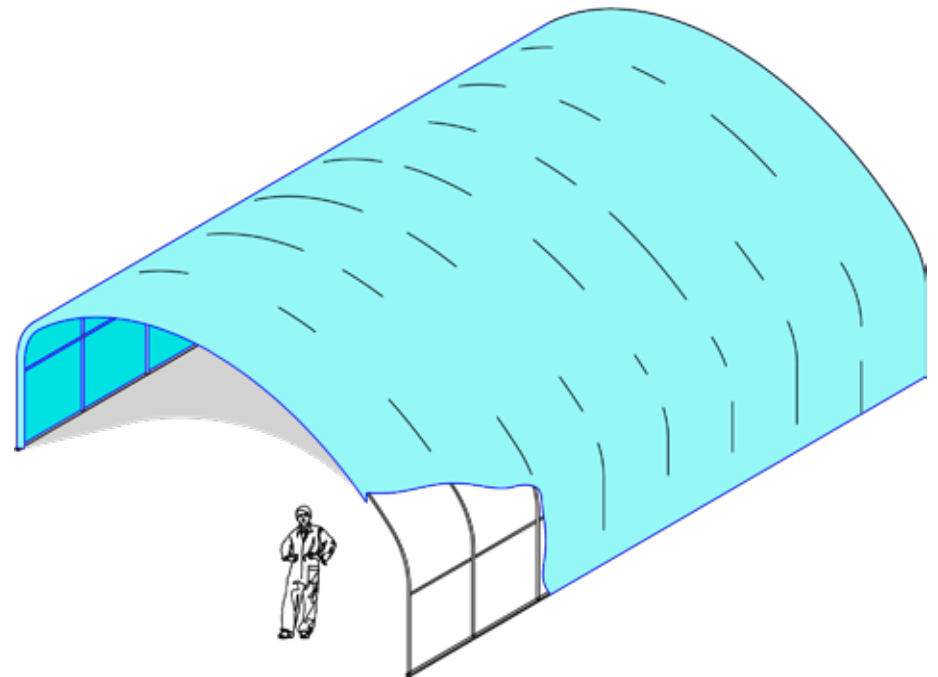
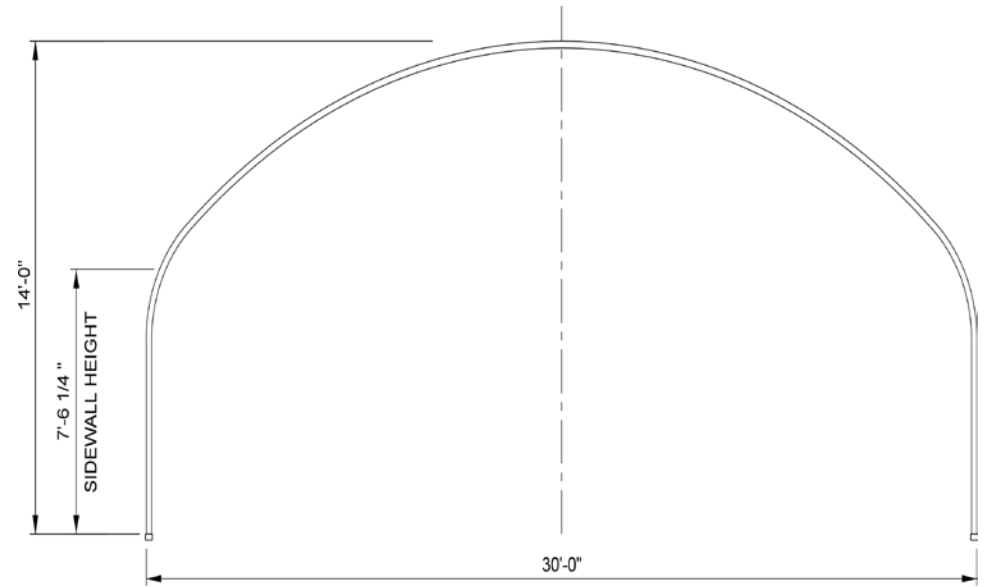
18 oz Poly Coated Vinyl Flame Resistant NFPA 701



# SEATING



**30' X 40' SHELTER**  
24 TABLES



# FABRIC SHELTER LUNCH TENT 40' WIDE MODELS

## SIZE

40'W 14'H at center 9' sidewall

## FRAME

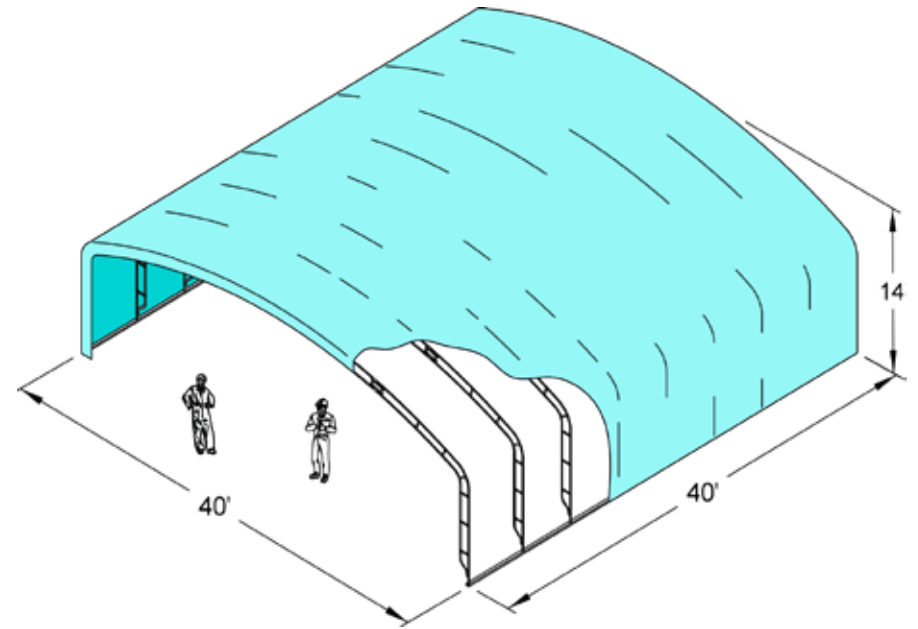
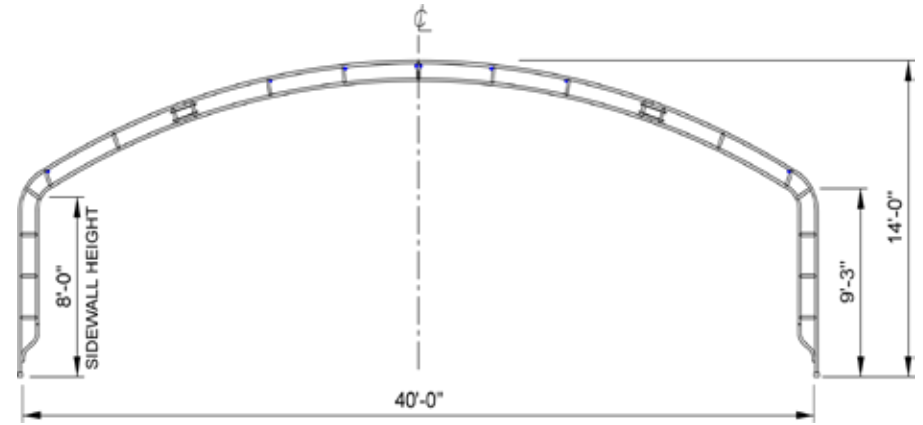
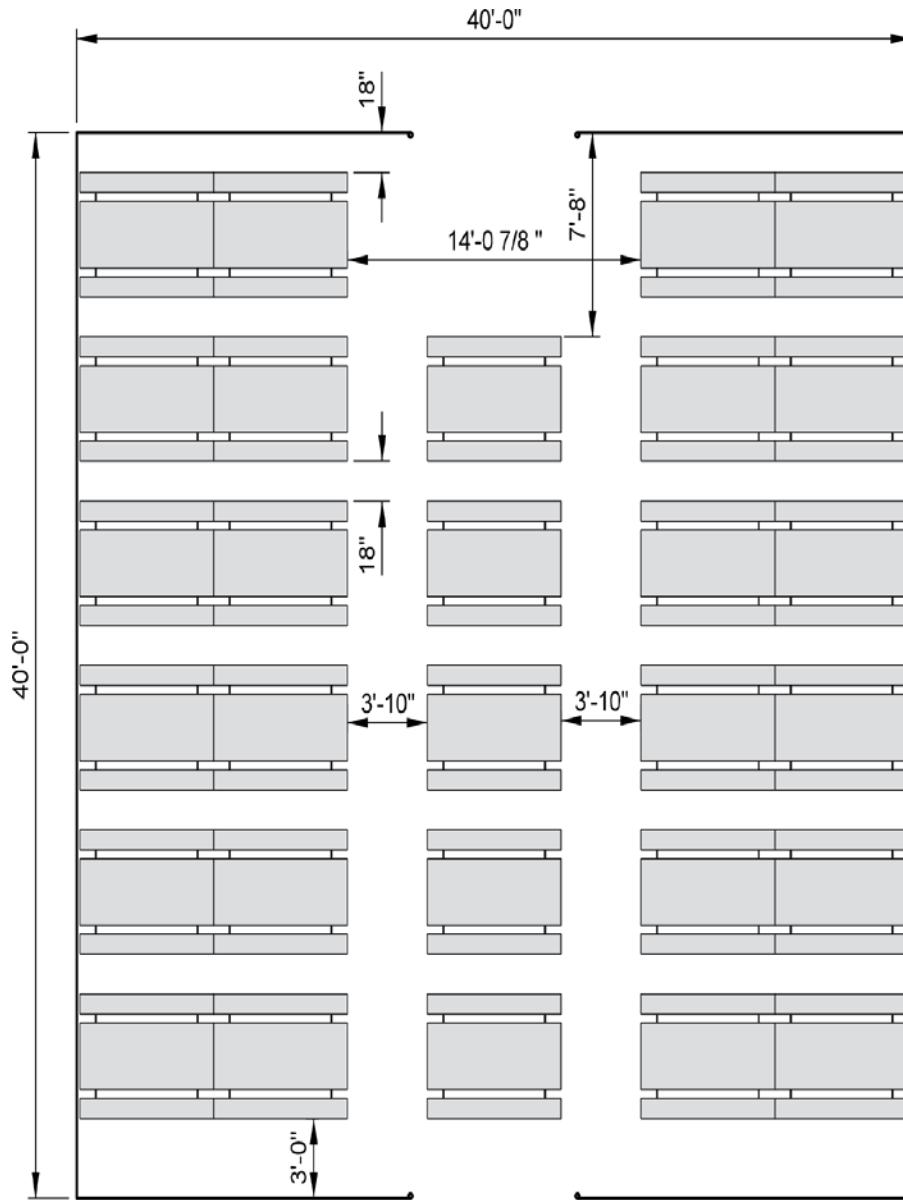
Truss Frame, High Strength Galvanized Steel Tubing

## FABRIC

18 oz Poly Coated Vinyl Flame Resistant NFPA 701



# SEATING



**40' X 40' SHELTER**

29 TABLES

# END PANELS

American Covers Inc. fabric end panels include a detailed assembly instruction manual along with packaging to include all hardware required for assembly. American Covers issues a color standard white for shelters, however, a variety of color options are available such as tan, grey, or green.



**METAL ROLL UP DOORS**



**DUCT PORTS**



**HOODED ENTRY**



**FABRIC ROLL UP DOORS**



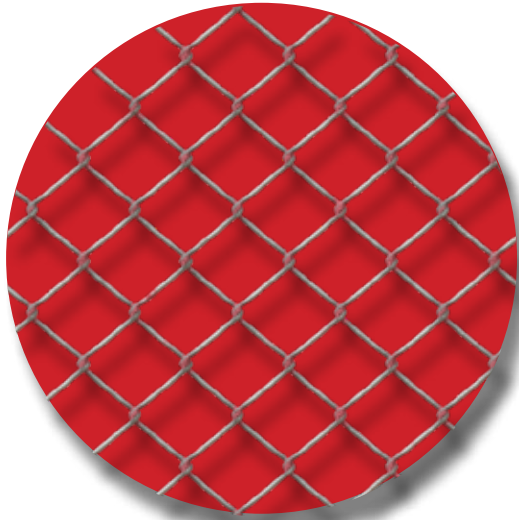
**DOUBLE ACCESS DOORS**



**CLEAR STRIP DOORS**

# ACCESSORIES

Customize your lunch tent with accessories to make your onsite dining facility safe and comfortable.



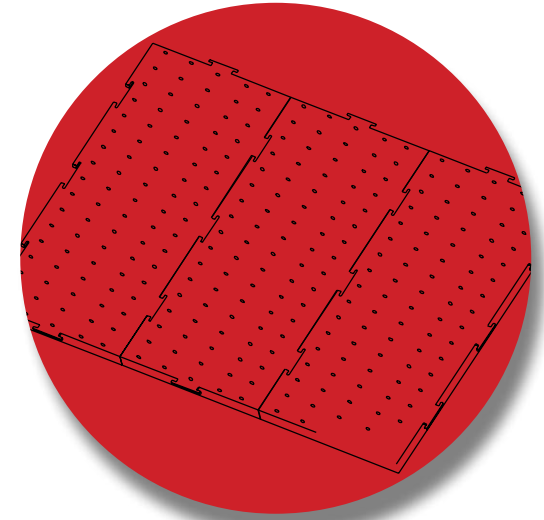
## FENCING

American Covers Inc. is prepared to serve many temporary site needs, including safely securing a location and controlling crowds—privacy fencing is yet another accessory American Covers can include in your rental package.



## LIGHTING

From easy to install light strings to full LED bay lights, American Covers offers lighting options to provide quality, bright, professional-grade illumination that is clear and long-lasting.



## FLOORING

Modular temporary flooring provides surface protection for fabric shelters requiring floor stability and enhanced appearance. The PVC interlocking floor panels include drainage holes to keep the floor dry. Installation is easy and fast.



281 General Patton Avenue

Mandeville, LA 70471

877. 846. 4326

985. 778. 0700

Fax 985. 778. 0707

[sales@americancoversinc.com](mailto:sales@americancoversinc.com)

[www.americancoversinc.com](http://www.americancoversinc.com)

